



JCB 8015/8017/8018

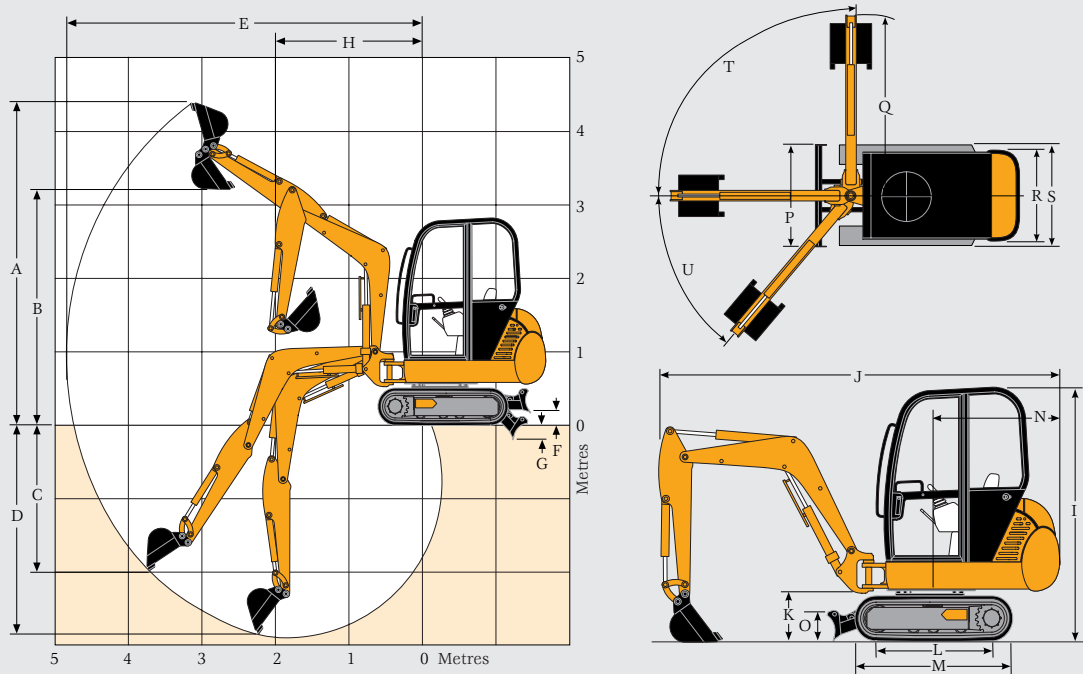
MINI EXCAVATORS



**DIG DEPTH FROM 2.10m (6ft 11in)
TO 2.51m (8ft 2in)**

JCB 8015/ 8017/ 8018 MINI EXCAVATORS

PERFORMANCE AND DIMENSIONS



MODEL		JCB 8015		JCB 8017		JCB 8018	
PERFORMANCE	Dipper mm (ft-in)	1138 (3-7)	1238 (4)	1138 (3-7)	1238 (4)	1138 (3-7)	1238 (4)
A. Max dig height	mm (ft-in)	3277 (10-8)	3332 (10-11)	3277 (10-8)	3332 (10-11)	3316 (10-10)	3372 (11-1)
B. Max dump height	mm (ft-in)	2390 (7-8)	2431 (8)	2390 (7-8)	2431 (8)	2431 (8)	2504 (8-2)
C. Max vertical dig depth	mm (ft-in)	1721 (5-6)	1817 (6)	1721 (5-6)	1817 (6)	1853 (6-1)	1948 (6-4)
D. Max dig depth-dozer up	mm (ft-in)	2102 (6-9)	2201 (7-3)	2102 (6-9)	2201 (7-3)	2185 (7-2)	2284 (7-5)
Max dig depth-dozer down	mm (ft-in)	2312 (7-6)	2411 (8)	2312 (7-6)	2411 (8)	2395 (7-10)	2494 (8-2)
E. Max ground level reach	mm (ft-in)	3665 (12)	3762 (12-4)	3665 (12)	3762 (12-4)	3785 (12-5)	3883 (12-9)
Bucket rotation		200°	200°	200°	200°	200°	200°
F. Dozer cut above ground	mm (ft-in)	195 (7")	195 (7")	195 (7")	195 (7")	195 (7")	195 (7")
G. Dozer cut below ground	mm (ft-in)	255 (9")	255 (9")	255 (9")	255 (9")	255 (9")	255 (9")
H. Min. slew radius	mm (ft-in)	1565 (5-2)	1585 (5-3)	1565 (5-2)	1585 (5-3)	1638 (5-5)	1658 (5-5)
I. Overall Height (trans pos)	mm (ft-in)	2185 (7-2)	2185 (7-2)	2185 (7-2)	2185 (7-2)	2185 (7-2)	2185 (7-2)
J. Overall Length (trans pos)	mm (ft-in)	3215 (10-6)	3204 (10-6)	3215 (10-6)	3204 (10-6)	3225 (10-7)	3214 (10-6)
K. Kingpost clearance	mm (ft-in)	391 (15")	391 (15")	391 (15")	391 (15")	391 (15")	391 (15")
L. Sprocket idler centres	mm (ft-in)	1008 (3-4)	1008 (3-4)	1008 (3-4)	1008 (3-4)	1008 (3-4)	1008 (3-4)
M. Undercarriage length	mm (ft-in)	1370 (4-5)	1370 (4-5)	1370 (4-5)	1370 (4-5)	1370 (4-5)	1370 (4-5)
N. Tailswing	mm (ft-in)	1130 (3-8)	1130 (3-8)	1130 (3-8)	1130 (3-8)	1130 (3-8)	1130 (3-8)
O. Dozer height	mm (ft-in)	215 (8")	215 (8")	215 (8")	215 (8")	215 (8")	215 (8")
P. Dozer width (retracted)	mm (ft-in)	1000 (3-3)	1000 (3-3)	1000 (3-3)	1000 (3-3)	1000 (3-3)	1000 (3-3)
Dozer width (extended)	mm (ft-in)	-	-	1380 (4-6)	1380 (4-6)	1380 (4-6)	1380 (4-6)
Q. Min slew radius (no bucket)	mm (ft-in)	1240 (4-1)	1251 (4-2)	1240 (4-1)	1251 (4-2)	1341 (4-5)	1352 (4-5)
R. Superstructure width	mm (ft-in)	998 (3-3)	998 (3-3)	998 (3-3)	998 (3-3)	998 (3-3)	998 (3-3)
S. Width over tracks (retracted)	mm (ft-in)	970 (3-2)	970 (3-2)	970 (3-2)	970 (3-2)	970 (3-2)	970 (3-2)
S. Width over tracks (extended)	mm (ft-in)	-	-	1350 (4-5)	1350 (4-5)	1350 (4-5)	1350 (4-5)
T. Boom swing right		90°	90°	90°	90°	90°	90°
(limit stop installed)		70°	70°	70°	70°	70°	70°
U. Boom swing left		50°	50°	50°	50°	50°	50°
Max Bucket tearout	(kN/lbf)	11 (2472)	11 (2472)	11 (2472)	11 (2472)	12.9 (2900)	12.9 (2900)
Max dipper tearout	(kN/lbf)	8 (1799)	7.6 (1709)	8 (1799)	7.6 (1709)	8 (1799)	7.6 (1709)
Travel speeds kph 1st Gear	(kph/mpg)	2.1/2.2 (1.3)	2.1/2.2 (1.3)	2.1 (1.3)	2.1 (1.3)	2.5 (1.6)	2.5 (1.6)
Travel speeds kph 2nd Gear	(kph/mpg)	Opt 3.6 (2.2)	Opt 3.6 (2.2)	3.6 (2.2)	3.6 (2.2)	4.3 (2.7)	4.3 (2.7)
Drawbar pull	(kN/lbf)	10.4 (2338)	10.4 (2338)	10.4 (2338)	10.4 (2338)	10.2 (2293)	10.2 (2293)
Slew speed	rpm	10.4	10.4	10.4	10.4	10.5	10.5

GENERAL SPECIFICATION

MACHINE WEIGHTS		JCB 8015	JCB 8017	JCB 8018
Operating Weight*	kg (lb)	1625 (3583)	1747 (3851)	1756 (3871)
Transport Weight	kg (lb)	1550 (3490)	1672 (3686)	1681 (3706)
With Steel Tracks	kg (lb)	+ 42 (93)	+ 42 (93)	+ 42 (93)
With 950mm dipper	kg (lb)	- 2 (4)	- 2 (4)	- 2 (4)
With 1238mm dipper	kg (lb)	+ 2 (4)	+ 2 (4)	+ 2 (4)
With Canopy	kg (lb)	- 94 (207)	- 94 (207)	- 94 (207)

SERVICE CAPACITIES

Water system capacity - Cab	Ltr (US Gal)	5 (1.32)	5 (1.32)	5 (1.32)
Canopy	Ltr (US Gal)	4.5 (1.89)	4.5 (1.89)	4.5 (1.89)
Fuel Tank Capacity	Ltr (US Gal)	19 (5.02)	19 (5.02)	19 (5.02)
Engine oil capacity	Ltr (US Gal)	3.5 (0.92)	3.5 (0.92)	3.5 (0.92)
Hydraulic system capacity	Ltr (US Gal)	29 (7.66)	29 (7.66)	31 (8.19)
Hydraulic tank capacity	Ltr (US Gal)	24 (6.34)	24 (6.34)	24 (6.34)

UNDERCARRIAGE

No of bottom rollers		3	3	3
Track width	mm (in)	230 (9)	230 (9)	230 (9)
Ground Bearing Pressure	Kg/cm ² (psi)	0.34 (4.9)	0.37 (5.3)	0.38 (5.4)
Ground Clearance	mm (in)	200	200	200
Track Tensioning		screw	screw	screw

ENGINE

Model		Perkins 103-10	Perkins 103-10	Perkins 103-10
Gross power	Kw (HP) @ 2250	13.6 (18.2)	13.6 (18.2)	13.6 (18.2)
Net power	Kw (HP) @ 2250	12.7 (17)	12.7 (17)	12.7 (17)
Gross torque	Nm (lbf ft) @ 2000	59.6 (44)	59.6 (44)	59.6 (44)
Net torque	Nm (lbf ft) @ 2000	55.6 (41)	55.6 (41)	55.6 (41)
Displacement		954	954	954
Fuel injection system		Bosch	Bosch	Bosch
Gradeability		35°	35°	35°
Starter Motor	kW (HP)	12v1.2 (1.6)	12v1.2 (1.6)	12v1.2 (1.6)
Battery		12v 475 amps	12v 475 amps	12v 475 amps
Alternator		40 amps	40 amps	40 amps

HYDRAULICS

Pump		3 section gear	3 section gear	3 section gear
Nominal Output	Lpm	10.5 / 11.7 x 2	10.5 / 11.7 x 2	10.6 / 13.7 x 2
Nominal Output	(US gal/m)	2.7 / 3.1 x 2	2.7 / 3.1 x 2	2.80 / 3.6 x 2
Excavator/track main relief	bar (psi)	230 (3336)	230 (3336)	220 (3191)
Slew main relief	bar (psi)	140 (2031)	140 (2031)	140 (2031)
Auxiliary hydraulic flow	Ltr (US Gal)	23.4 (6.2)	23.4 (6.2)	27.4 (7.2)
Hydraulic motors		Piston	Piston	Piston

STANDARD EQUIPMENT & OPTIONAL EQUIPMENT	8015	8017	8018
TOPS Certified Canopy	Std	Std	Std
TOPS Certified Cab	Opt	Opt	Opt
Full Audible Systems	Std	Std	Std
Lockable Toolbox	Std	Std	Std
Toolkit	Std	Std	Std
Interior Storage Space	Std	Std	Std
Mobile Phone Charge Point	Std	Std	Std
Door Holdback Latch	Std	Std	Std
Slew Travel Lock	Std	Std	Std
Lifting Points	Std	Std	Std
Rubber Tracks	Std	Std	Std
Steel Tracks	Opt	Opt	Opt
Extending Undercarriage	-	Std	Std
Servo Controls	Std	Std	Std
Dual Pattern Controls	Opt	Opt	Opt
2 Speed Tracking	Opt	Std	Std
Static Seat	Std	Std	Std
Suspension Seat	Opt	Opt	Opt
950mm Dipper	Opt	Opt	Opt
1138mm Dipper	Std	Std	Std
1238mm Dipper	Opt	Opt	Opt
1538mm "Gravemaster" Dipper	-	-	Opt
90° Boom Offset	Std	Std	Std
Boom Ram Protection Plate	Std	Std	Std
Dozer Blade	Std	Std	Std
Hammer Pipework	Std	Std	Std
Double Acting Pipework	Opt	Opt	Opt
Dipper mounted auxiliary pipework	Opt	Opt	Opt
Hand held tool circuit	Opt	Opt	Opt
Worklights	Opt	Opt	Opt
Flashing beacon	Opt	Opt	Opt
FOGS guard	Opt	Opt	Opt
8 General Purpose Buckets: 160mm (6") to 760mm (30")	Opt	Opt	Opt
2 Ditching/Grading Buckets: 900mm (35") and 1000mm (39")	Opt	Opt	Opt
JCB Breakers: HM70, HM160, HM160Q	Opt	Opt	Opt
Earth Drills	Opt	Opt	Opt
Mechanical quickhitch	Opt	Opt	Opt

*Operating weight to ISO 6016 including cab, rubber tracks, 1138mm dipper, standard dozer, 460mm bucket, full tanks and a 75kg operator.



A GLOBAL COMMITMENT

TO QUALITY.

JCB's total commitment to its products and customers has helped it grow from a one-man business into Britain's largest privately owned manufacturer of backhoe loaders, crawler excavators, wheeled excavators, telescopic handlers, wheeled loaders, rough terrain fork lifts, industrial fork lifts, mini excavators, skid steers and tractors.

By making constant and massive investments in the latest production technology, the JCB factories have become some of the most advanced in Europe.

By leading the field in innovative research and design, extensive testing and stringent quality control, JCB machines have become renowned all over the world for performance, value and reliability.

And with a global sales and service network of over 400 distributors and agents, the company exports over 70% of its production to all five continents.

Through setting the standards by which others are judged, JCB has become one of Britain's most impressive success stories.



JCB care for the environment.
This paper has been produced without
the use of elemental chlorine chemicals
in the bleaching process.

JCB Sales Limited, Rocester, Staffordshire ST14 5JP.
Tel: 01889 590312. Fax: 01889 590588.
Web: <http://www.jcb.co.uk>

JCB reserves the right to change specifications without notice.
Illustrations shown may include optional equipment and accessories.

9999/4621 10/01

